

# Service Manual - Artex

09.05.2009

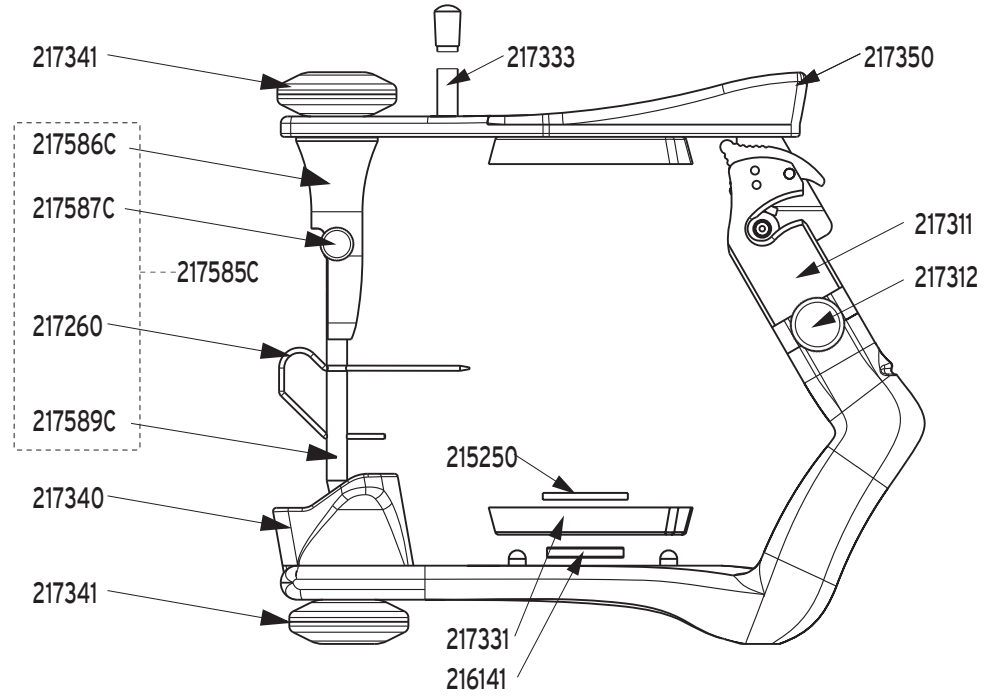
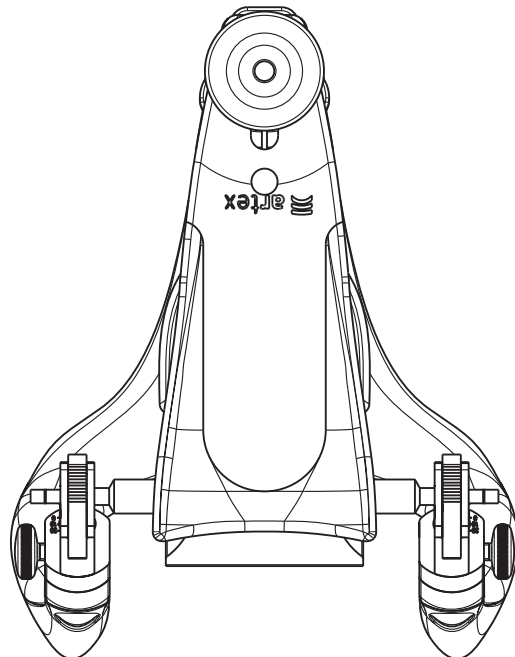
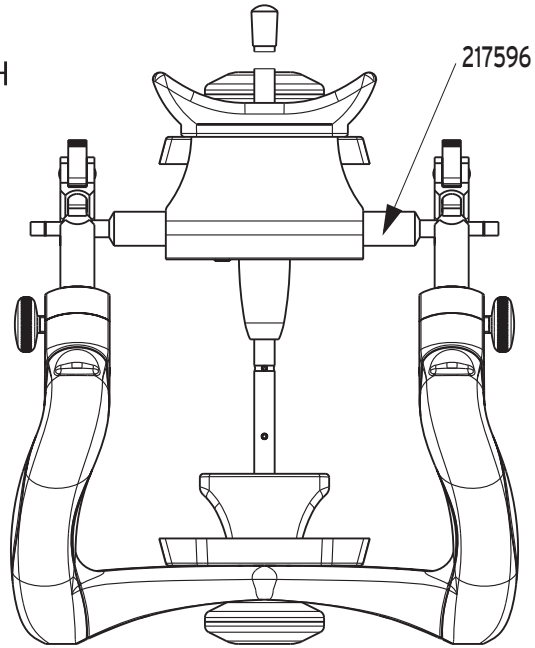
## Inhaltsverzeichnis / Table of contents

1	217310 Artex CN	2
1	217320 Artex CT	3
1	217360 Artex BN	4
1	218750 Artex CP	5
1	218760 Artex CR	6
1	218790 Artex SL	7





**AMANN GIRRBACH**  
217310 Artex CN

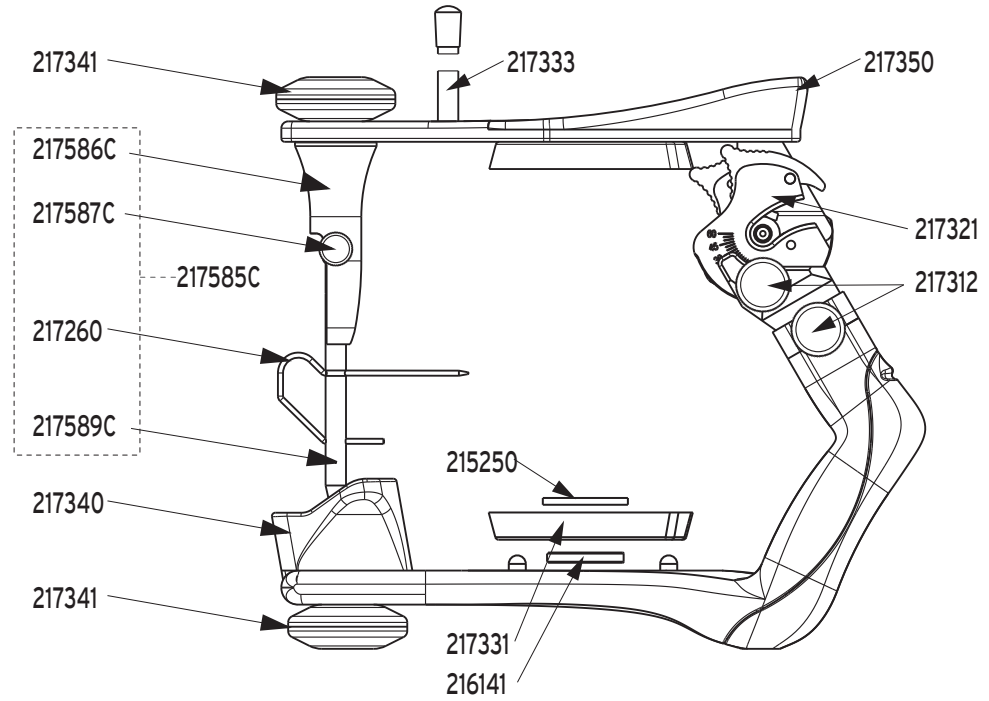
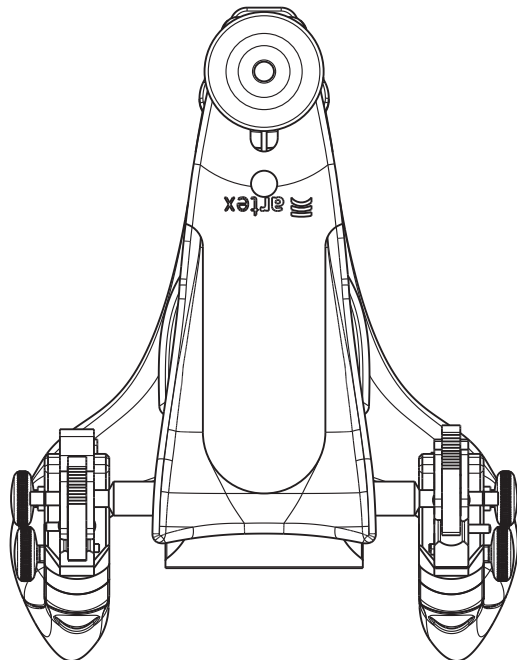
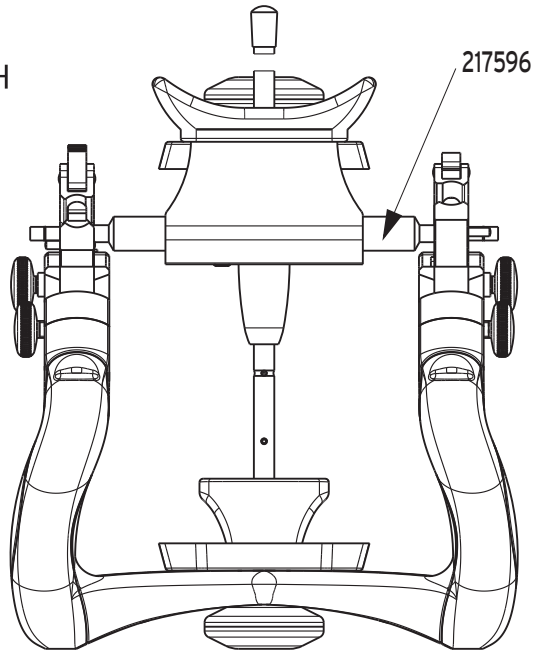


**217310 Artex CN**

217331	Artex Modellplatten blau 50er Pckg.	Modell plate blue, 50 pcs.
215250	Retentionsscheiben (100 Stk)	Retention Disks, 100 pcs.
216141	Splitex-Magnet	Splitex Magnet
217589C	FZF Stift mit Nadel C-Version	Anterior guidance pin, C-Vers.
217596	Artex-Halbachsen NK/TK (Paar)	Artex - semi axes NK/TK (pair)
217260	Artex-Inzisalnadel	Artex incisal needle
217350	Artex C Oberteil mit Kunststoffaufsatz	Artex Carbon upper part
217585C	FZF Stift Standard C-Version	Ant. guidance pin f. C-Vers.
217333	Stützstift C schraubbar	Support pin C screwable
217341	Artex C Schraube für FZF	Artex C Anterior Guidance Screw
217311	Artex CN Kondylenpaar	Artex CN condyles (pair)
217340	Artex FZF Teller anatomisch	Plate anatomical f. C-Vers.
217312	Artex CN/CT-Kondylen-Stellschraube	Artex CN/CT condyle screw
217587C	Artex C - FZF - Schraube	Ant. Guidance pin fixing screw
217586C	FZF Stifthalter C-Version	Ant. guidance pin f. C-Vers.



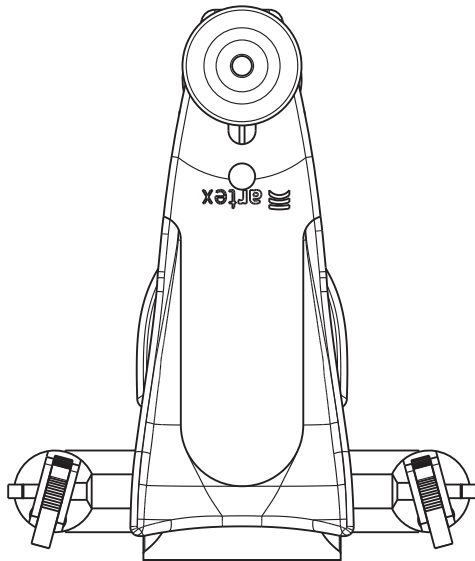
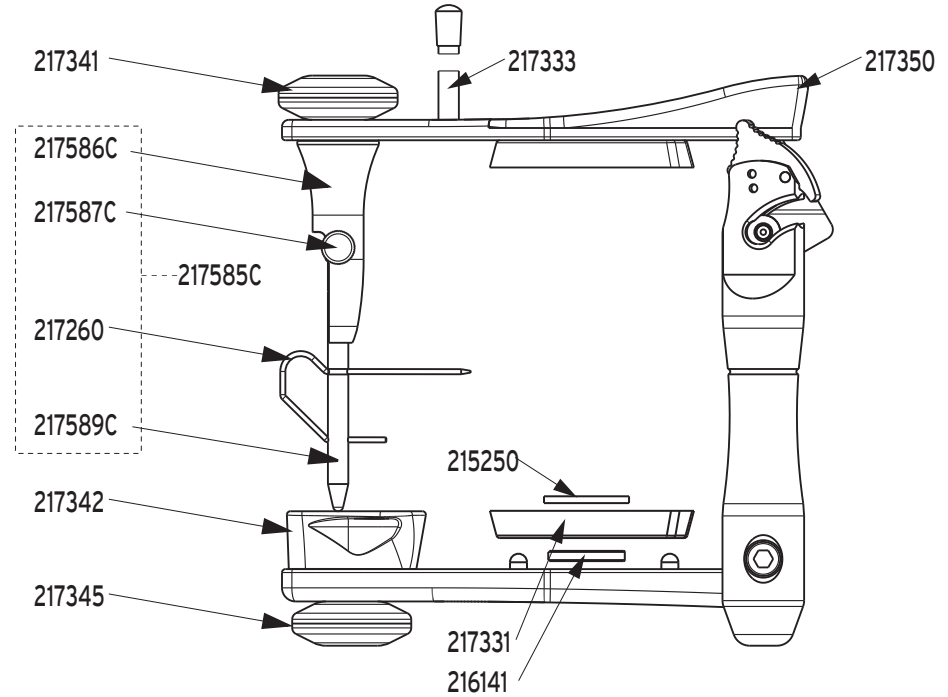
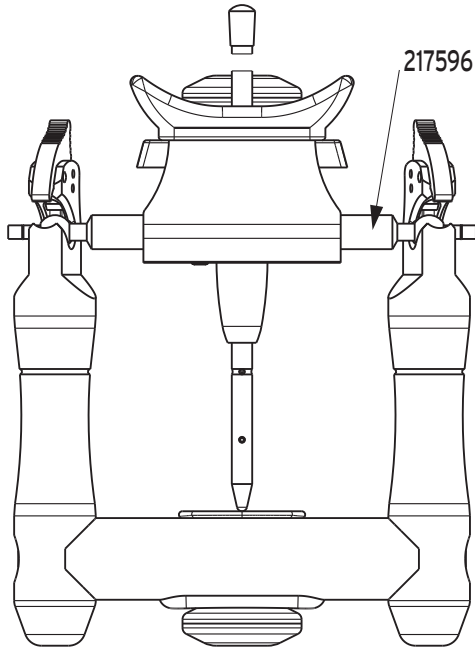
**AMANN GIRRIBACH**  
217320 Artex CT



- |         |  |                                 |
|---------|--|---------------------------------|
| 217331  | Artex Modellplatten blau 50er Pckg.    | Modell plate blue, 50 pcs.      |
| 215250  | Retentionsscheiben (100 Stk)           | Retention Disks, 100 pcs.       |
| 216141  | Splitex-Magnet                         | Splitex Magnet                  |
| 217589C | FZF Stift mit Nadel C-Version          | Anterior guidance pin, C-Vers.  |
| 217596  | Artex-Halbachsen NK/TK (Paar)          | Artex - semi axes NK/TK (pair)  |
| 217260  | Artex-Inzisalnadel                     | Artex incisal needle            |
| 217350  | Artex C Oberteil mit Kunststoffaufsatz | Artex Carbon upper part         |
| 217321  | Artex CT Kondylenpaar                  | Artex CT condyles (pair)        |
| 217585C | FZF Stift Standard C-Version           | Ant. guidance pin f. C-Vers.    |
| 217333  | Stützstift C schraubbar                | Support pin C screwable         |
| 217586C | FZF Stifthalter C-Version              | Ant. guidance pin f. C-Vers.    |
| 217341  | Artex C Schraube für FZF               | Artex C Anterior Guidance Screw |
| 217312  | Artex CN/CT-Kondylen-Stellschraube     | Artex CN/CT condyle screw       |
| 217587C | Artex C - FZF - Schraube               | Ant. Guidance pin fixing screw  |



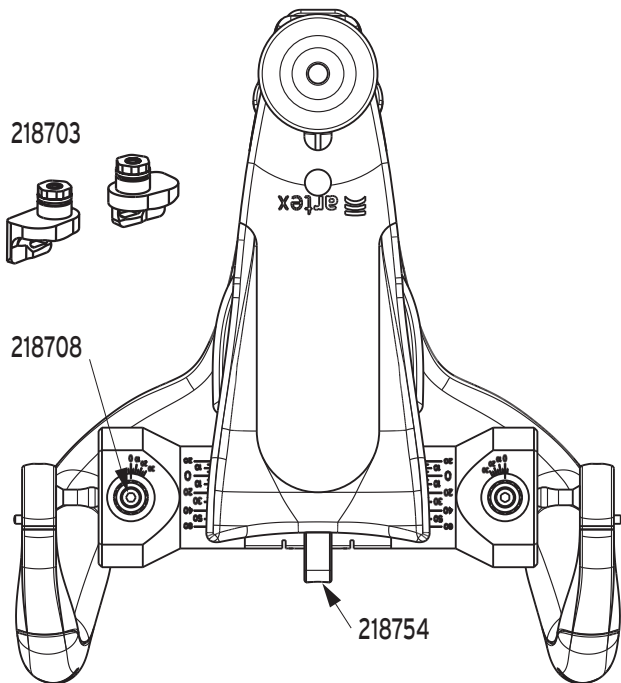
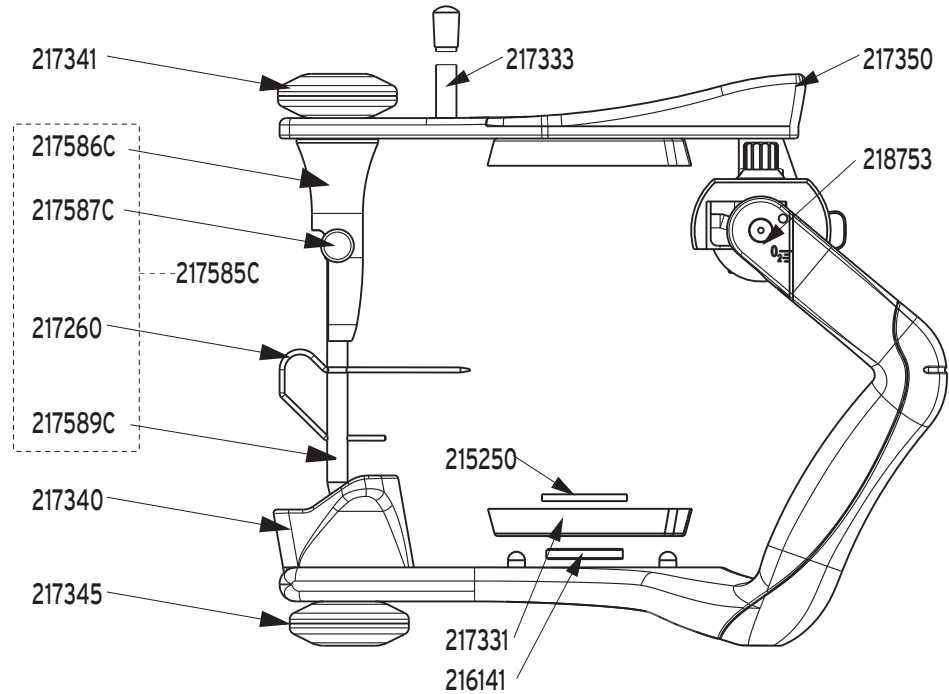
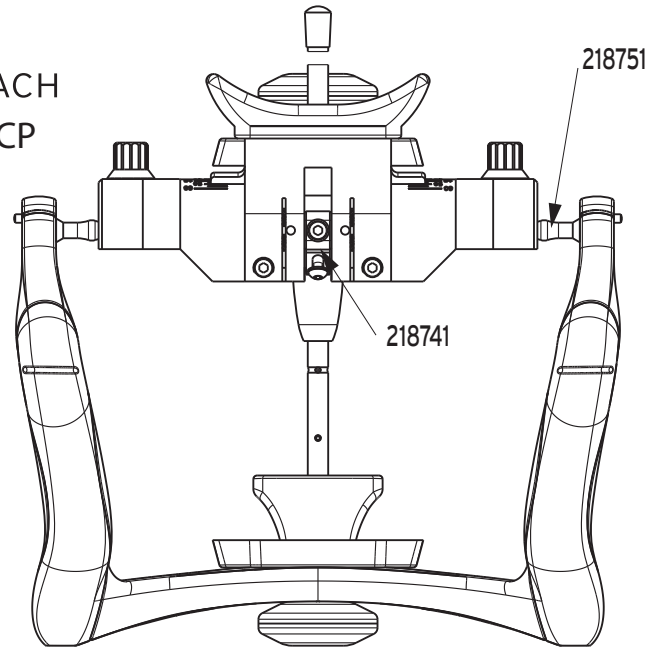
**AMANN GIRRBACH**  
217360 Artex BN



- |         |  |                                 |
|---------|--|---------------------------------|
| 217331  | Artex Modellplatten blau 50er Pckg.    | Modell plate blue, 50 pcs.      |
| 217589C | FZF Stift mit Nadel C-Version          | Anterior guidance pin, C-Vers.  |
| 217596  | Artex-Halbachsen NK/TK (Paar)          | Artex - semi axes NK/TK (pair)  |
| 217260  | Artex-Inzisalnadel                     | Artex incisal needle            |
| 217350  | Artex C Oberteil mit Kunststoffaufsatz | Artex Carbon upper part         |
| 217585C | FZF Stift Standard C-Version           | Ant. guidance pin f. C-Vers.    |
| 217333  | Stützstift C schraubbar                | Support pin C screwable         |
| 217586C | FZF Stifthalter C-Version              | Ant. guidance pin f. C-Vers.    |
| 217341  | Artex C Schraube für FZF               | Artex C Anterior Guidance Screw |
| 217342  | Artex FZF Teller 0°                    | Plate anatomical f. C-Vers.     |
| 217587C | Artex C - FZF - Schraube               | Ant. Guidance pin fixing screw  |
| 216141  | Splitex-Magnet                         | Splitex Magnet                  |



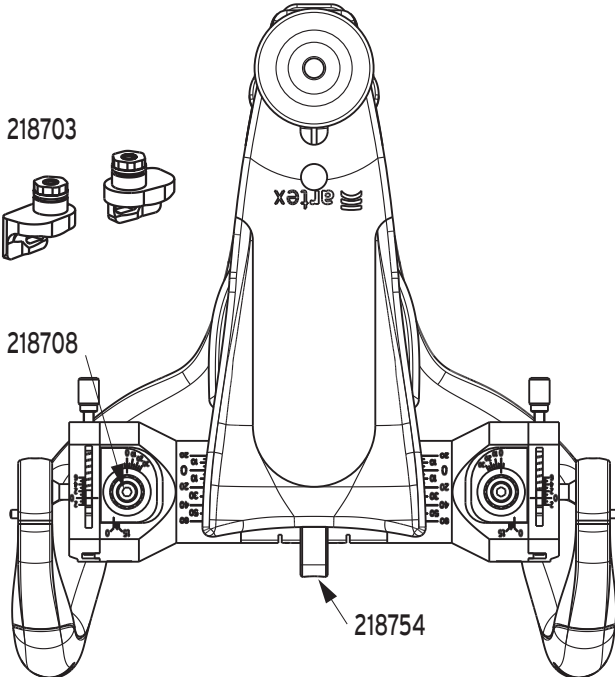
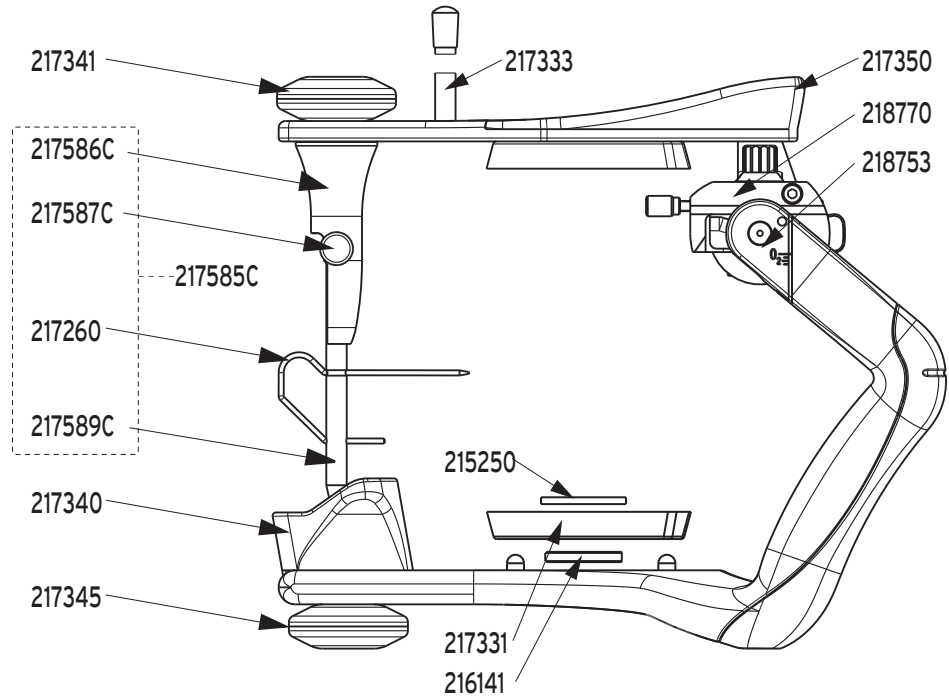
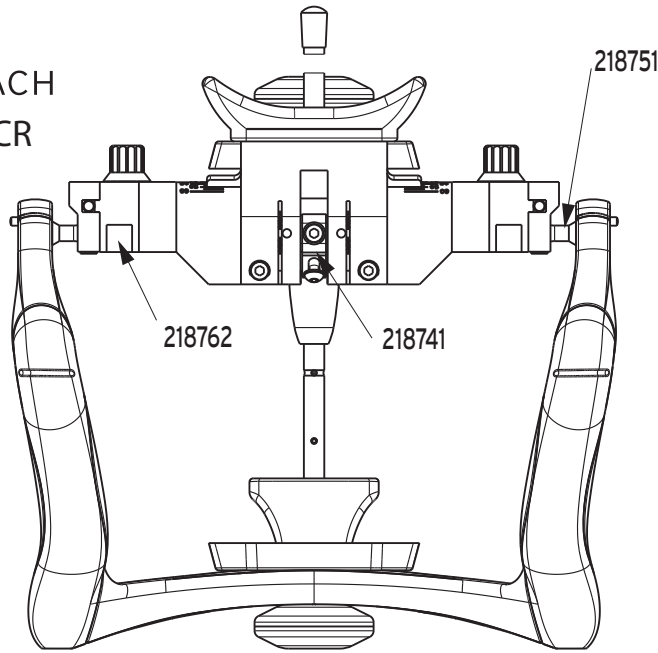
**AMANN GIRRBACH**  
218750 Artex CP



- |         |  |  |
|---------|--|--|
| 217331  | Artex Modellplatten blau 50er Pckg.      | Modell plate blue, 50 pcs.               |
| 215250  | Retentionsscheiben (100 Stk)             | Retention Disks, 100 pcs.                |
| 216141  | Splitex-Magnet                           | Splitex Magnet                           |
| 217589C | FZF Stift mit Nadel C-Version            | Anterior guidance pin, C-Vers.           |
| 217260  | Artex-Inzisalnadel                       | Artex incisal needle                     |
| 217350  | Artex C Oberteil mit Kunststoffaufsatz   | Artex Carbon upper part                  |
| 218703  | Kondyleneinsätze AP/AR                   | Condyle inserts AP/AR                    |
| 217333  | Stützstift C schraubbar                  | Support pin C screwable                  |
| 217586C | FZF Stifthalter C-Version                | Ant. guidance pin f. C-Vers.             |
| 218751  | Artex CP/CR Kondylenachsenpaar           | Artex CP/CR Condyle axes (pair)          |
| 218741  | Artex Arcon Zentrik kompl.               | Artex Arcon centric compl. unit          |
| 217341  | Artex C Schraube für FZF                 | Artex C Anterior Guidance Screw          |
| 217340  | Artex FZF Teller anatomisch              | Plate anatomical f. C-Vers.              |
| 218380  | Artex-Inbusschlüssel Arcon               | Artex Allan key A                        |
| 218762  | Artex CR retraler Anschlag               | Artex CR retrusion insert                |
| 217587C | Artex C - FZF - Schraube                 | Ant. Guidance pin fixing screw           |
| 218770  | Artex CR Protrusionszeiger Paar          | Artex CR protrusion pointer (pair)       |
| 218708  | Inbus f. Drehkopf AP/AR                  | Allen for Bennett-angle turning knob     |
| 218753  | Artex CP/CR Achsenaufnahme und Distrakti | Artex CP/CR axis and distractoin support |
| 217585C | FZF Stift Standard C-Version             | Ant. guidance pin f. C-Vers.             |
| 218754  | Artex CP/CR Zentrik-Schwenkhebel         | Artex CP/CR centric lever                |



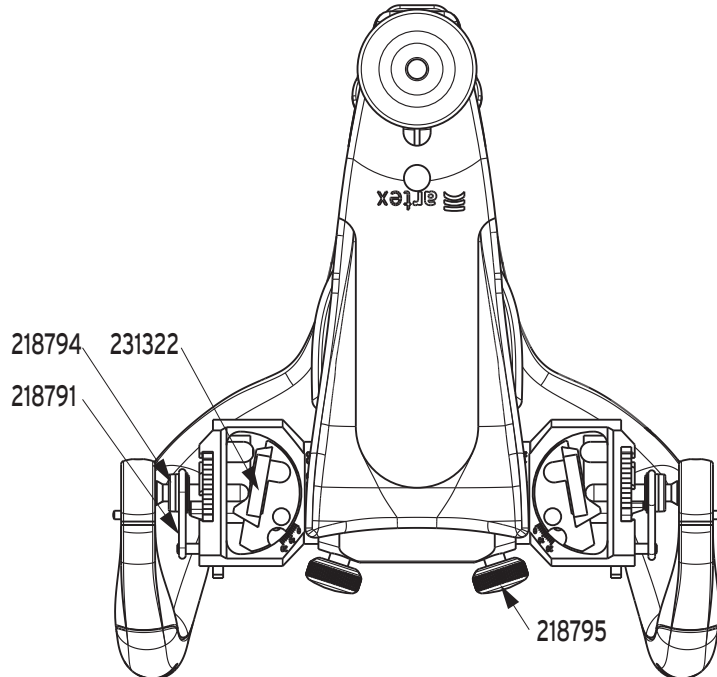
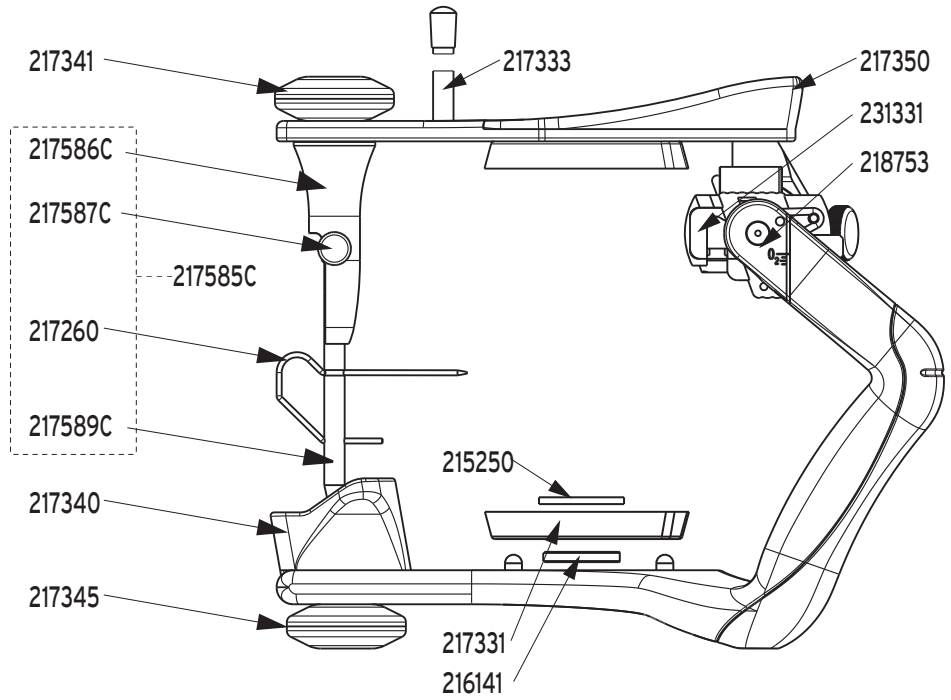
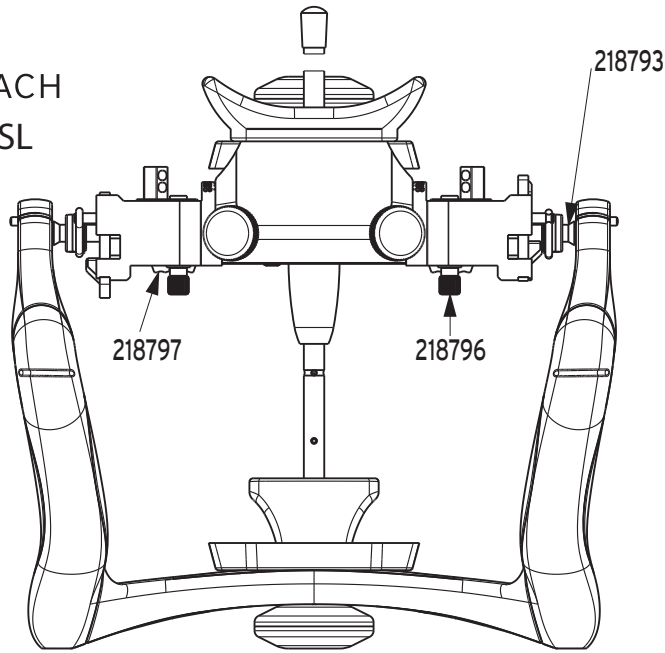
**AMANN GIRRBACH**  
218760 Artex CR



- |         |  |  |
|---------|--|--|
| 217331  | Artex Modellplatten blau 50er Pckg.      | Modell plate blue, 50 pcs.               |
| 215250  | Retentionsscheiben (100 Stk)             | Retention Disks, 100 pcs.                |
| 216141  | Splitex-Magnet                           | Splitex Magnet                           |
| 217589C | FZF Stift mit Nadel C-Version            | Anterior guidance pin, C-Vers.           |
| 217260  | Artex-Inzisl-nadel                       | Artex incisal needle                     |
| 217350  | Artex C Oberteil mit Kunststoffaufsatz   | Artex Carbon upper part                  |
| 218703  | Kondyleneinsätze AP/AR                   | Condyle inserts AP/AR                    |
| 217333  | Stützstift C schraubbar                  | Support pin C screwable                  |
| 217586C | FZF Stifthalter C-Version                | Ant. guidance pin f. C-Vers.             |
| 218751  | Artex CP/CR Kondylenachsenpaar           | Artex CP/CR Condyle axes (pair)          |
| 218741  | Artex Arcon Zentrik kompl.               | Artex Arcon centric compl. unit          |
| 217341  | Artex C Schraube für FZF                 | Artex C Anterior Guidance Screw          |
| 217340  | Artex FZF Teller anatomisch              | Plate anatomical f. C-Vers.              |
| 218380  | Artex-Inbusschlüssel Arcon               | Artex Allan key A                        |
| 218762  | Artex CR retraler Anschlag               | Artex CR retrusion insert                |
| 217587C | Artex C - FZF - Schraube                 | Ant. Guidance pin fixing screw           |
| 218770  | Artex CR Protrusionszeiger Paar          | Artex CR protrusion pointer (pair)       |
| 218708  | Inbus f. Drehkopf AP/AR                  | Allen for Bennett-angle turning knob     |
| 218753  | Artex CP/CR Achsenaufnahme und Distrakti | Artex CP/CR axis and distractoin support |
| 217585C | FZF Stift Standard C-Version             | Ant. guidance pin f. C-Vers.             |
| 218754  | Artex CP/CR Zentrik-Schwenkhebel         | Artex CP/CR centric lever                |



**AMANN GIRRIBACH**  
218790 Artex SL



- |         |  |                                   |
|---------|--|-----------------------------------|
| 217589C | FZF Stift mit Nadel C-Version          | Anterior guidance pin, C-Vers.    |
| 217260  | Artex-Inzisalnadel                     | Artex incisal needle              |
| 217350  | Artex C Oberteil mit Kunststoffaufsatz | Artex Carbon upper part           |
| 217585C | FZF Stift Standard C-Version           | Ant. guidance pin f. C-Vers.      |
| 217333  | Stützstift C schraubbar                | Support pin C screwable           |
| 217586C | FZF Stifthalter C-Version              | Ant. guidance pin f. C-Vers.      |
| 217341  | Artex C Schraube für FZF               | Artex C Anterior Guidance Screw   |
| 217340  | Artex FZF Teller anatomisch            | Plate anatomical f. C-Vers.       |
| 218791  | Artex SL - O - Ring                    | Artex SL o-ring                   |
| 218797  | Artex SL Schieber                      | Artex SL slider                   |
| 217587C | Artex C - FZF - Schraube               | Ant. Guidance pin fixing screw    |
| 218793  | Artex SL Kondylenachsenpaar            | Artex SL condyle axis pair        |
| 218795  | Artex SL Kondylen-Stellschraube        | Artex SL condyle fixing screw     |
| 218794  | Artex SL Stellingring                  | Artex SL adjusting ring           |
| 218796  | Artex SL Bennett-Stellschraube         | Artex SL Bennett angle fix. Screw |
| 231322  | **INAKTIV** Bennett-Einsatz weiss Paar | Bennett-insert white, pair        |
| 231331  | **INAKTIV** SKN-Einsatz weiss, Paar    | SKN-insert white, pair            |
| 217331  | Artex Modellplatten blau 50er Pckg.    | Modell plate blue, 50 pcs.        |