



THE BASIS FOR TROUBLE-FREE
DENTURES

MODEL MANAGEMENT



THE INHOUSE MOVEMENT®



„Artex is my secret weapon for aesthetically and functionally perfect restorative results.“

Alexander Wünsche, CDT Zahntechnik, USA



"With proper use, we can perfectly solve a very large number of patient cases both esthetically and functionally."

Stefan Schunke ZTM, Stefan Schunke GmbH, Germany



„I love the finish of the Artex products. They are precise and beautiful units. These are great pieces of technical engineering that help me in everyday practice.“

Dr. Markijan Hupalo Prosthodontics, Australia



„This instrument is a beautiful piece of engineering that is as stunning to look at as it is hard-working. It possesses robust precision control for complex cases AND is also ergonomic and humble enough for conventional dentures.“

Miles Cone, DMD Nuance Dental Specialists, USA



"Professional functional diagnostics require suitable instruments. And I only use the best instruments for my patients."

Dr. M. Oliver Ahlers, CMD-Centrum Hamburg-Eppendorf, Germany



„Everything is easy to use, and not fiddly and awkward like other systems I've used. I've been using Artex for 20 years or so, and the articulators have proven to be way more robust and sturdy than the previous type I used.“

Andrew Cautley, Nelson Prosthodontics, New Zealand

THE BASIS FOR TROUBLE-FREE DENTURES

The Model Management System from Amann Girrbach forms the ideal basis for the fabrication of precision models for trouble-free dental restorations. Perfectly matched components create efficient and economical processes in the laboratory and guarantee restorations free of early and interfering contacts and with an ideal fit.



artex® cr

**Precise, stable and proven
1,000 times over**

- _Provides all functions for analysing the free spaces and excursion patterns
- _Variable sideshift function for transversal clearance, adjustable
- _Light and stable due to carbon construction for optimum handling



giroform®

**Fabricate a precision model
quickly and cost-effectively**

- _Outsmarts gypsum expansion and thus saves time-consuming grinding
- _Time savings by manufacturing the dental arch in only 6 minutes (working time)
- _Fault-free basis for digitalisation



ceramill® map 600

**Speed of light.
Artex precision.**

- _Maximum precision through condyle-related scanning in the Artex workflow
- _Full jaw scan in 18 seconds provides maximum efficiency in the laboratory
- _Highest application safety through intelligent scan height control



ceramill® mind

The intelligent design software

- _High saving in time thanks to intuitive workflow according to dental technology logic
- _Virtual Artex CR with an unlimited range of functions
- _Perfectly coordinated with scan and CAM processes to guarantee a continuous workflow

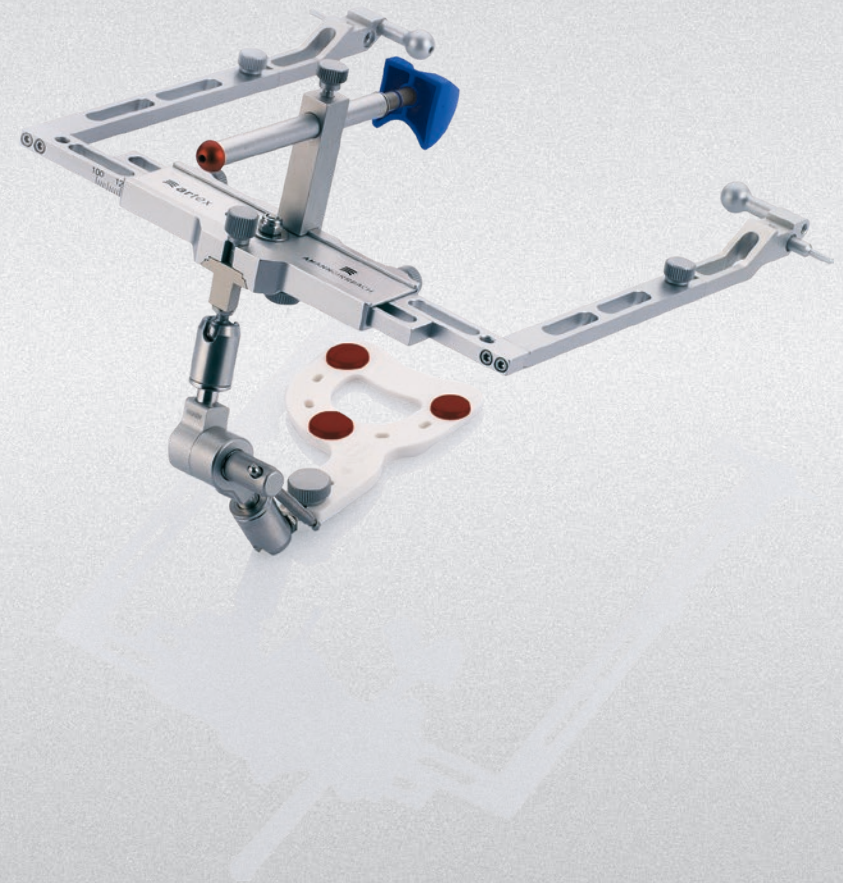
ARTEX SYSTEM - THE PERFECT COMMUNICATION BETWEEN DENTIST, DENTAL TECHNICIAN AND THE PATIENT

For maximum accuracy of fit for well-functioning dentures, working with an articulator is essential. The Artex system is renowned worldwide as being fully functional and reliable, and for dentists and dental technicians alike it is an effective aid in recording static jaw relationships and simulating jaw movements. For the best possible link-up between dentist and dental technician. For the ultimate in reliability and accuracy. For perfect service to the patient.

FUNCTIONAL DIAGNOSTICS AT THE HIGHEST LEVEL

Artex facebow, transfer jig and articulator form a single communication unit. Dentists determine the cranium-axis position of the maxilla using the Artex facebow. This anatomically important parameter is quickly and precisely fixed in position on the transfer jig.

- _Cranium-axis oriented transfer of maxillary model to the articulator transfers the real jaw position precisely to the articulator and consequently reduces grinding time at the chairside**
- _Reliable reproducibility of arbitrary axis position using cushioned Leipzig Nasion**
- _Cranium/axis relation determined in corresponding to the patient's anatomy in just two minutes**
- _Fast and secure fixation of the 3-D joint support with just a single action**



SENSITIVE EXCURSION SIMULATORS - PRECISE, STABLE AND PROVEN IN 1000S OF APPLICATIONS

What the dental technician fabricates in the articulator must function intraorally. Artex articulators provide a highly precise option for accurately reproducing excursion patterns of patient receptors. Their light, stable design simplifies and accelerates work on the model while also reducing work on the patient and significantly increasing patient comfort.



**UNIQUE -
ARTEX C-VERSION:**

Easy and comfortable handling due to ergonomic design and carbon base

artex® bn

Minimum requirements

Non-arcon base device
_Basic model with precise functional parts made of aluminum and stainless steel

artex® cn

Entry model

Non-arcon base device
_Working in 3 tilt-proof working positions

artex® cr

All-rounder

Arcon premium model
_Offers all adjustment options to achieve the patient's flexibility and movement patterns

artex® ct

Suitable for mass production

Non-arcon premium model
_Partially adjustable non-arcon articulator

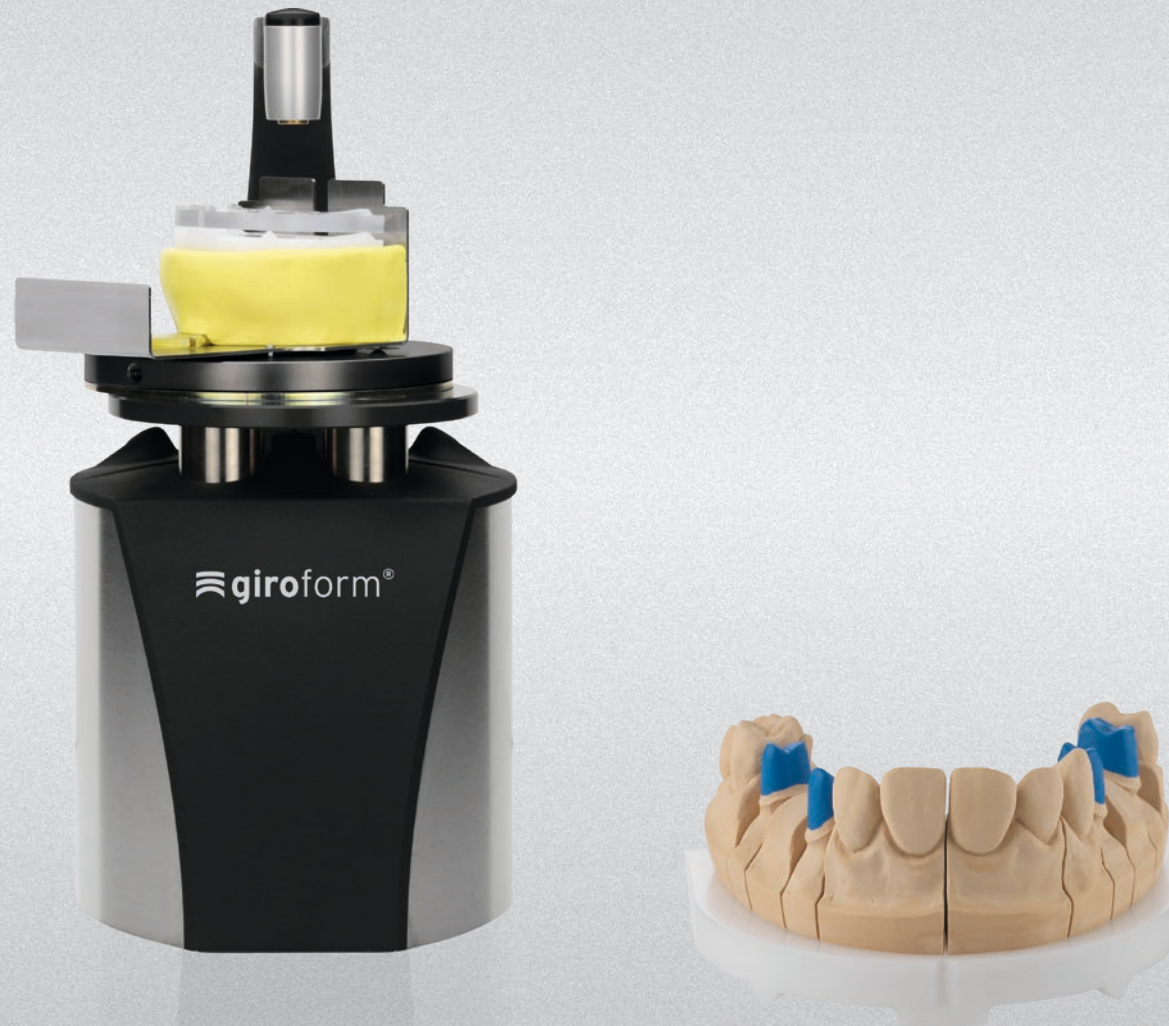
artex® cpr

Full dentures

Arcon basic model
_Partially adjustable arcon articulator with 3 tilt-proof working positions ideal for full dentures

OVERCOMES PLASTER EXPANSION - EASILY QUICKLY AND PRECISELY

The fitting accuracy of dental prostheses is largely dependent on the precision of the models. Yet this is the very area in which the natural expansion of the plaster constitutes the greatest source of error. The effects of plaster expansion are evident in the patient's mouth in problems with the fit of prosthetic work, such as tension areas. Giroform outsmarts the plaster expansion of the jaw segment, thus providing a true model of the patient's mouth. The Giroform System provides dental technology with a perfect and high-precision model making system on the market. By employing standardized and optimized procedures Giroform guarantees permanent and reproducible quality.



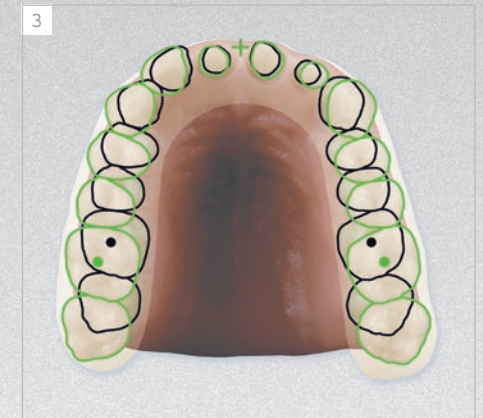
UNDESIRABLE PLASTER EXPANSION IN MAKING THE MODEL:



The patient's original mouth position



The tooth arch following plaster expansion



By superimposing the original and the expanded tooth arch, the deviation is clearly shown

HOW DOES GIROFORM SOLVE THIS CHALLENGE?



Drilling pinholes into the dimensionally stable Giroform plate according to the impression situation guarantees the transfer of patient-oriented position information.



Unrestricted expansion (green) of the plaster due to early separation from the base plate. (Original information = black).



Restoration of the original information through segmentation of the individual elements and thus compensation of the expansion.

GIROFORM PIN DRILL

The pin drill allows precise, fast and safe determination of the desired drill position. Drilling starts at the press of a button. The plate holder is fastened magnetically, securing the drill position.

- _Laser beam for easy drill positioning**
- _Plate holder smoothly adjustable thus ensuring safe and fast operation**
- _Plate holder is secured magnetically and automatically when drilling starts**
- _Universal plate holder for all sizes and shapes of Giroform baseplates with anti-rotation protection**



ACCESSORIES ≠ ACCESSORIES DIMENSIONALLY STABLE PLASTIC PLATES FOR MODEL FABRICATION WITHOUT PLASTER EXPANSION

Choosing the right accessories is also decisive for the fabrication of precision models with the Giroform system. The expansion-stable Giroform base plate was specifically developed for the Giroform system and adapted to the process.

**Saves working time (base plaster, sleeves and moulds).
Base plate ready-to-use and available in three sizes**

- L for standard cases
- XL for exceptionally large arches
- Quadrant for sectional impressions

**Multiple-use of premium plates for
opposite models and classic plates**

three drill holes for pin fixing
if working without a metal disc

Cost savings

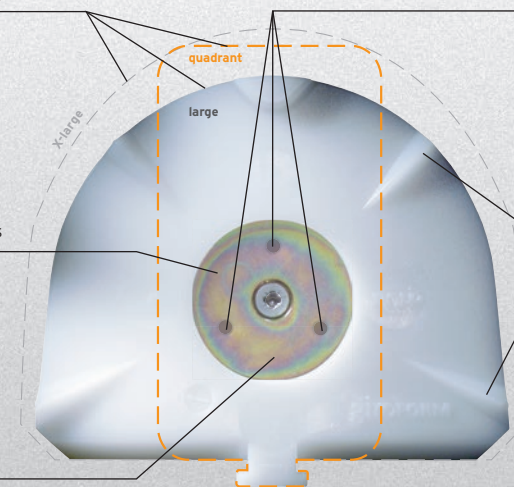
low-priced reusable metal
discs for classic base plates

**Screw fitting no longer
required saving time**

premium base plates
incl. metal discs

**Split cast checked
for scientifically
verified geometry**

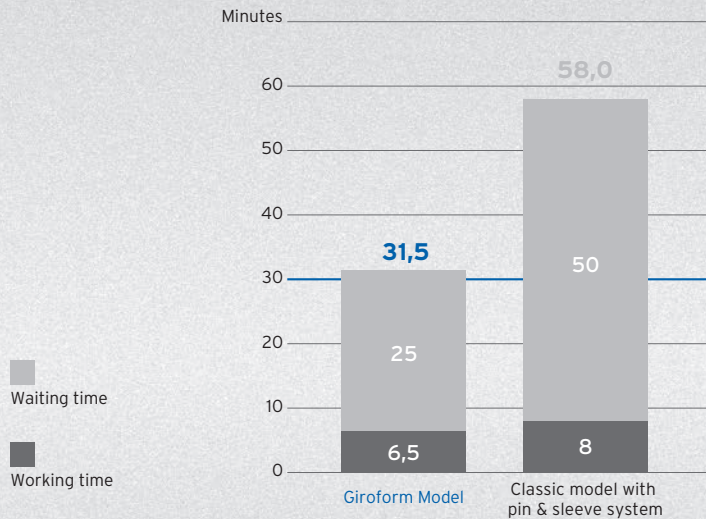
triangular split cast
with wedge tapering
to centre



IN A NUTSHELL - THE ADVANTAGES OF THE GIROFORM SYSTEM

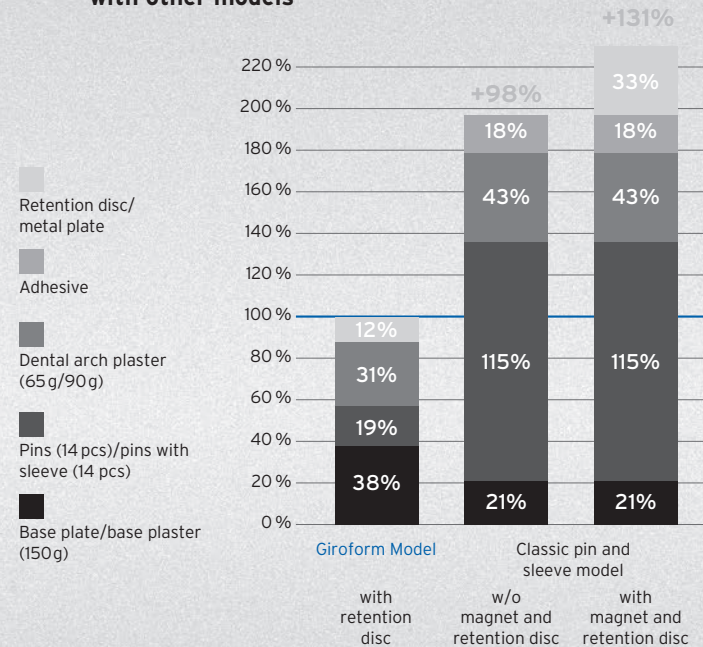
FAST- THE SYSTEM WHICH SAVES DOUBLE THE TIME

🕒 Double time saving



ECONOMICAL- THE SYSTEM THAT SAVES TIME AND MATERIAL

💰 Comparing Giroform Model (100% cost) with other models



- _The actual time required to make the model is just 6-7 minutes
- _The base is already completed due to the dimensionally stable Giroform base plate and does not require any curing time
- _Segmentation of the dental arch can commence after a little more than 30 minutes

- _Reducing the amount of plaster for the dental arch through blocking out
- _The metal disc is already fixed into the premium base plate
- _Multiple use of base plates, secondary plates and metal discs
- _Base plaster no longer required
- _No adhesives, guide sleeves or shell moulds required

 smartbox X2

 smartmix X2

 steamer X3

EFFICIENT, ECONOMICAL, INDISPENSABLE

Together, the three machines form the perfect complement to the Model Management workflow and facilitate everyday laboratory routines with reproducible, cost-efficient processes.



Savings potential of
20-25 % compared to the
manual technique

 smartbox X2

Plaster cannot be sifted more efficiently

The Smartbox X2 guarantees the consistently high quality of the dosing result and is easy to use. Due to its high savings potential, the machine pays for itself in just a few months.

- _Time and plaster savings of 20 % to 25 % compared to manual technique
- _Simple one-hand operation - error-free working through individual, stored programs for everyone
- _Reproducible mixing ratio at the push of a button, accurate to within a gram



Patented stirring blade
geometry for best mixing
results

 smartmix X2

Homogeneous mixing results at the touch of a button

The universal and future-proof vacuum-mixing machine with the amazingly simple operating concept. No matter whether for the rapid production of homogeneous plasters, investment materials or paste-like silicones.

- _Homogeneous and reproducible mixing results with optimal parameters
- _Fast access to all stored mixing parameters such as mixing time, speed and interval time
- _Easy handling for fast program selection and programming

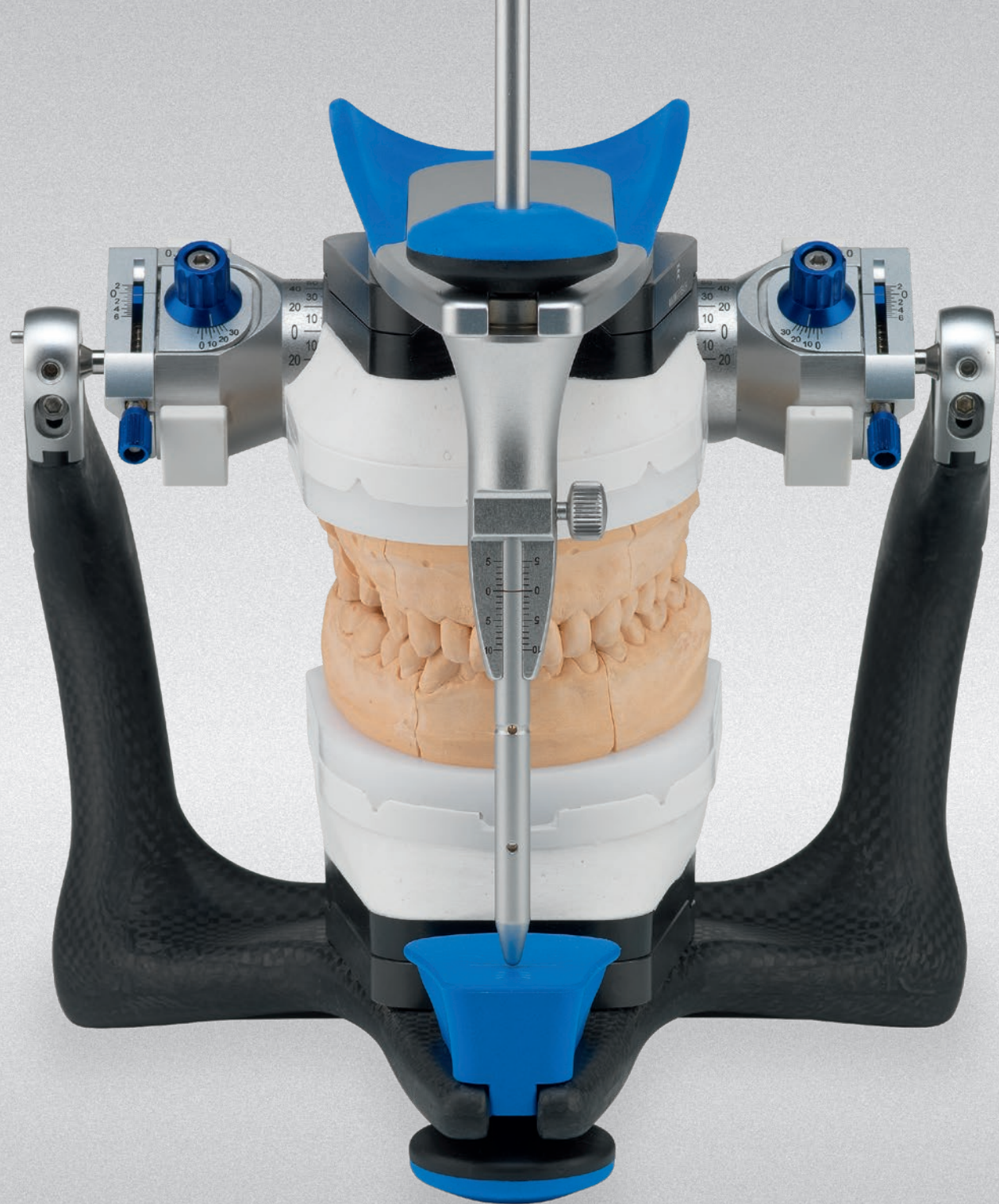


 steamer X3

Universal steam cleaner

The Steamer X3 is a high-quality, universal steam cleaner for cleaning small objects such as metal frameworks and dies as well as articulators or instruments.

- _Large stainless steel tank with 3.7 liter capacity
- _Efficient and reliable cleaning at 4 bar and 140 °C
- _Highest reliability due to the use of high-quality components





AMANNGIRRBACH

AUSTRIA (HEADQUARTERS)

Amann Girrbach AG
Koblach, Austria
Fon +43 5523 62333-105
austria@amanngirrbach.com

GERMANY

Amann Girrbach GmbH
Pforzheim, Germany
Fon +49 7231 957-100
germany@amanngirrbach.com

NORTH AMERICA

Amann Girrbach North America, LP
Charlotte, NC, U.S.A.
Fon +1 704 837 1404
america@amanngirrbach.com

BRASIL

Amann Girrbach Brasil LTDA
Curitiba, Brasil
Fon +55 41 3287 0897
brasil@amanngirrbach.com

ASIA

Amann Girrbach Asia PTE LTD.
Singapore, Asia
Fon +65 6592 5190
singapore@amanngirrbach.com

CHINA

Amann Girrbach China Co., Ltd.
Beijing, China
Fon +86 10 8886 6064
china@amanngirrbach.com

WWW.AMANNGIRRBACH.COM