

INTEGRATED, DIVERSE,
EFFICIENT, OPEN



ceramill[®]

PRECISION MODEL

PRECISION TRANSFER



artex® cr

Model management articulator and masticatory loading simulator for the dental practice and laboratory

- _Provides all functions for analysing the free spaces and excursion patterns
- _Variable sideshift function for transversal clearance, adjustable



giroform®

Fabricate a precision model quickly and cost-effectively

- _Overcomes expansion of dental stone due to segmentation of the dental arch
- _Fabrication of a dental arch in only six minutes (working time)
- _Fault-free basis for digitalisation



ceramill® transferkit

Loss-free transfer of patient data into the Ceramill Map400

- _Digitisation of the model situation in Splitex precision
- _Reliable, quick and uncomplicated handling



ceramill® map400

The "function scanner" with Splitex-Integration

- _Highly precise digitalisation of models in intermaxillary relationship
- _DNA speed scanning reduces scan times by up to 50%
- _Universal plate enables flexible positioning of all types of model
- _Open interface and automatic user guidance

DNA SPEED SCANNING
UP TO 50%
time saving



ceramill® map200

Entry-level scanner - quick, compact, precise

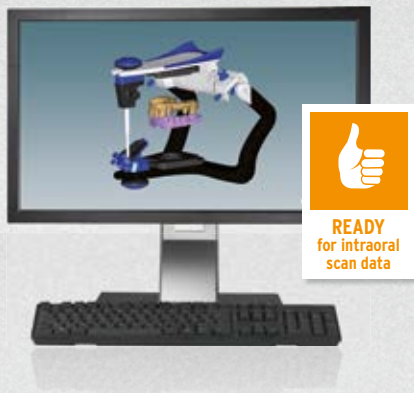
- _Maximum precision with minimum footprint
- _DNA speed scanning reduces scan times by up to 50%
- _Open interface and automatic user guidance
- _Open for all models (incl. quadrants)

DNA SPEED SCANNING
UP TO 50%
time saving



DESIGN (CAD) VIRTUAL OCCLUSION

PRODUCTION (CAM)



ceramill® mind

ceramill® match 2

ceramill® mikro 4X

ceramill® mikro 5X

The intelligent design software

- _ High saving in time thanks to intuitive workflow according to dental technology logic
- _ Perfectly coordinated with scan and CAM processes to guarantee a continuous workflow
- _ Virtual Artex CR with an unlimited range of functions

CAM software - easy, quick, precise

- _ Easy positioning and alignment of designs in the blank
- _ Quick calculation of the milling paths
- _ Sinter cushion in a thermodynamically optimum design shape for accurately fitting sintering of long-span zirconia restorations

4-axis dry unit - easy entry or efficient upgrading

- _ Low investment costs with high amortisation rate
- _ Versatile due to dry processing, including hybrid ceramics
- _ High-performance components and extremely robust design ensure permanently high milling results

5-axis dry milling in minimum space

- _ Maximum range of indications in the 5-axis dry milling/grinding category
- _ Fast and efficient thanks to control and milling strategies optimised for dental applications
- _ Monocoque design guarantees absolute stability and low-vibration processing

PRODUCTION (CAM)



ceramill® mikro ic

4-axis wet processing with speed function

- _Carving mode grinding technique - for up to 60% saving in time when processing glass/hybrid ceramic
- _Intelligent machine concept with high-performance, super-high-frequency spindle for maximum speed with the highest precision
- _Special holder concept for easy handling and highest degree of accuracy when processing hard materials

ceramill® motion 2

5-axis wet and dry processing - versatile and future-proof

- _Maximum range of materials and indications
- _Innovative processing procedures ensure maximum ROI (rotational milling of titanium, carving mode grinding technique etc.)
- _Intelligent machine concept with high-performance, super-high-frequency spindle for maximum speed with the highest precision
- _Intelligent machine design guarantees optimum protection of all electronic components in wet operation

ceramill® argotherm 2

Shielding gas sinter furnace for Ceramill Sintron with shielding gas flood chamber

- _Consistently high sintering quality thanks to optimum coordination with the Ceramill CAD/CAM system
- _Maximum process reliability due to integrated compressed air and shielding gas monitoring
- _Minimum shielding gas consumption

WHAT YOU SEE IS WHAT YOU GET!

Unbelievable details produced by a combination of ultra-fine instruments and meticulously developed milling strategies for all Ceramill Units - inhouse without preparatory work or reworking.



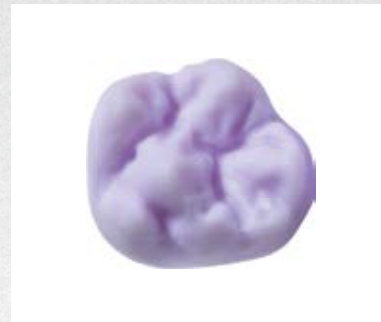
Zirconium oxide



CoCr sinter metal



Titanium



Lithium silicate ceramic



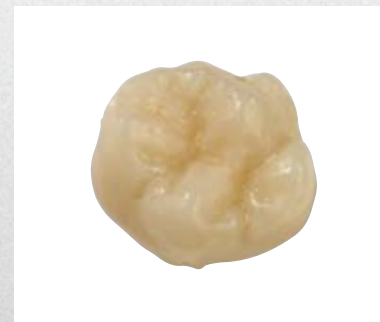
Hybrid ceramic



Lithium-silicate glass ceramic



Glass-ceramic



Acrylic



Wax



OPEN TO CHANGE.

Maximum range of indications and materials with the Plug&Play quick-change holder concept for Ceramill CNC units.



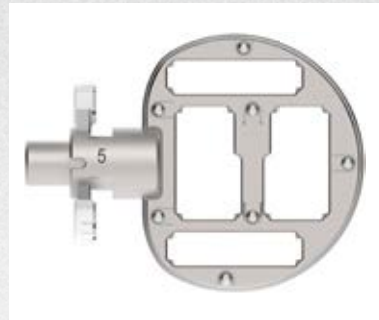
Ceramill Material 71



Ceramill Material 98



Titanium abutment blanks



Denture teeth (full-denture prosthetics)



Denture acrylic (full-denture prosthetics)



Glass ceramic and hybrid blocks (3x)



Glass ceramic and hybrid blocks (12x)



Adapter for glass ceramic and hybrid blocks (3x) for blank holder Ceramill Material 71



Glass ceramic and hybrid blocks



All Plug&Play quick-change holders at: www.amangirrbach.com

THE MATERIAL THAT CREATES AESTHETICS.

Materials from the Ceramill material portfolio ensure that you work with the highest quality restoration materials. We cooperate closely with selected partners to combine materials from in-house development and production with their materials in order to extend our product portfolio for customers.

CERAMICS



Ceramill Zolid FX Multilayer



Ceramill Zolid FX Preshades



Ceramill Zolid FX White



Ceramill Zolid Preshades



Ceramill Zolid White

ACRYLICS/WAX



Ceramill Splintec
Ceramill Splintec Standard



Ceramill TEMP
Ceramill TEMP Multilayer



Ceramill PEEK



Ceramill M-Plast



Ceramill PMMA





Ceramil ZI White



VITA SUPRINITY® PC

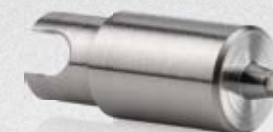


VITABLOCS®
Mark II TriLuxe Forte

METAL



Ceramil Sintron



Ceramil TI-Forms



Ceramil Wax
Ceramil Wax White



Ceramil D-Wax

HYBRIDS



VITA ENAMIC®



AMANNGIRRBACH

AUSTRIA (HEADQUARTERS)

Amann Girrbach AG
Koblach, Austria
Fon +43 5523 62333-105
austria@amanngirrbach.com

GERMANY

Amann Girrbach GmbH
Pforzheim, Germany
Fon +49 7231 957-100
germany@amanngirrbach.com

NORTH AMERICA

Amann Girrbach North America, LP
Charlotte, NC, U.S.A.
Fon +1 704 837 1404
america@amanngirrbach.com

BRASIL

Amann Girrbach Brasil LTDA
Curitiba, Brasil
Fon +55 41 3287 0897
brasil@amanngirrbach.com

ASIA

Amann Girrbach Asia PTE LTD.
Singapore, Asia
Fon +65 6592 5190
singapore@amanngirrbach.com

CHINA

Amann Girrbach China Co., Ltd.
Beijing, China
Fon +86 10 8886 6064
china@amanngirrbach.com

WWW.AMANNGIRRBACH.COM